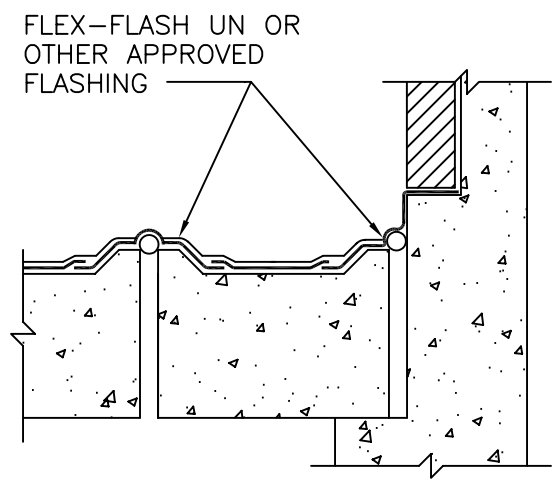


EXPANSION JOINTS UP TO 1" IN WIDTH AND MAX. 50% TOTAL MOVEMENT ANTICIPATED

(REF. DETAIL W-6A)



EXPANSION JOINTS 1" TO 2" IN WIDTH AND MAX. 50% TOTAL MOVEMENT ANTICIPATED

(REF. DETAILS W-6B, 6C, & 6D)

NOTES: FOR EXPANSION JOINTS GREATER THAN 2", EXPANSION JOINTS ANTICIPATING GREATER THAN 50% TOTAL MOVEMENT AND FOR SEISMIC EXPANSION JOINTS, THE USE OF PRE-FABRICATED, PROPRIETARY JOINT SYSTEMS SHOULD BE CONSIDERED. (REF. DETAILS W-6D)

HYDROTECH

Monolithic Membrane
6125-FR
WATERPROOFING SYSTEMS

AMERICAN HYDROTECH, INC.

GENERAL CONCRETE CRACK AND JOINT TREATMENT

NO SCALE	W-3
----------	-----