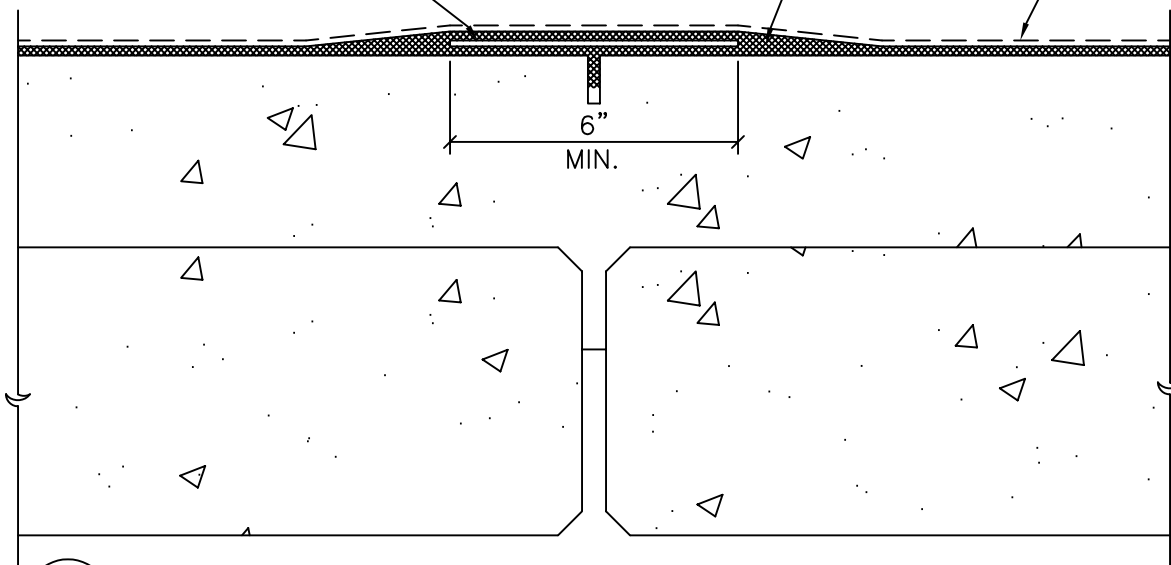


FLEX-FLASH UN,  
FLEX-FLASH F  
OR OTHER  
APPROVED  
REINFORCEMENT

MONOLITHIC MEMBRANE  
6125 (180 mil STD. ASMBLY.)

HYDROFLEX 10

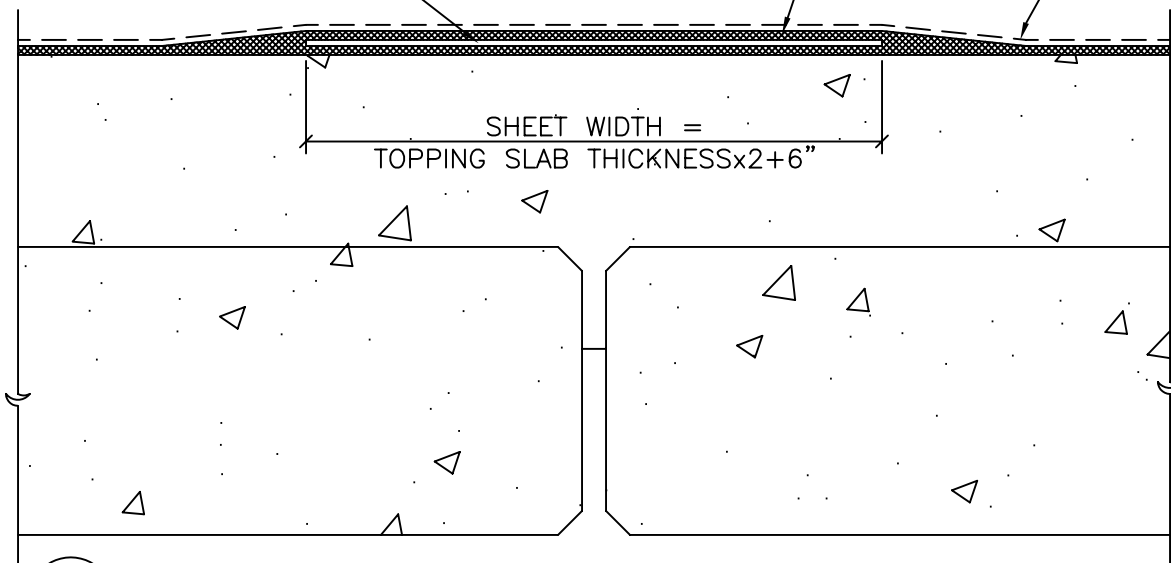


(A) SAW CUT TOPPING SLAB 1/4 SLAB THICKNESS

FLEX-FLASH UN,  
FLEX-FLASH F  
OR OTHER  
APPROVED  
REINFORCEMENT

MONOLITHIC MEMBRANE  
6125 (180 mil STD. ASMBLY.)

HYDROFLEX 10



(B) NO SAW CUT



Monolithic  
Membrane  
6125-FR  
ROOFING SYSTEMS

AMERICAN HYDROTECH, INC.

PRECAST PLANK DECK W/TOP SLAB  
FOR STANDARD 180 MIL ASSEMBLY

3"=1'-0"

R-4B